

Instruction Manual

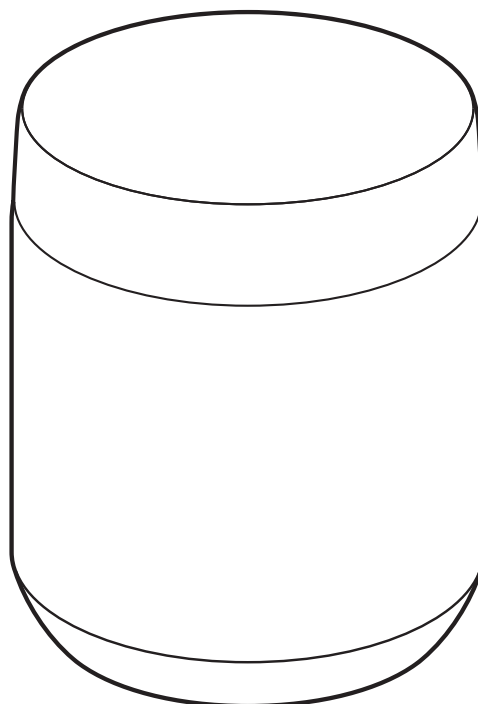
Product Number: JED

Thank you for purchasing the THERMOS Vacuum Insulated Soup Jar. This page gives detailed handling instructions for the product.

For Household Use

Before Use

- Check that all the parts are included.
- Thoroughly clean all parts.



Contents

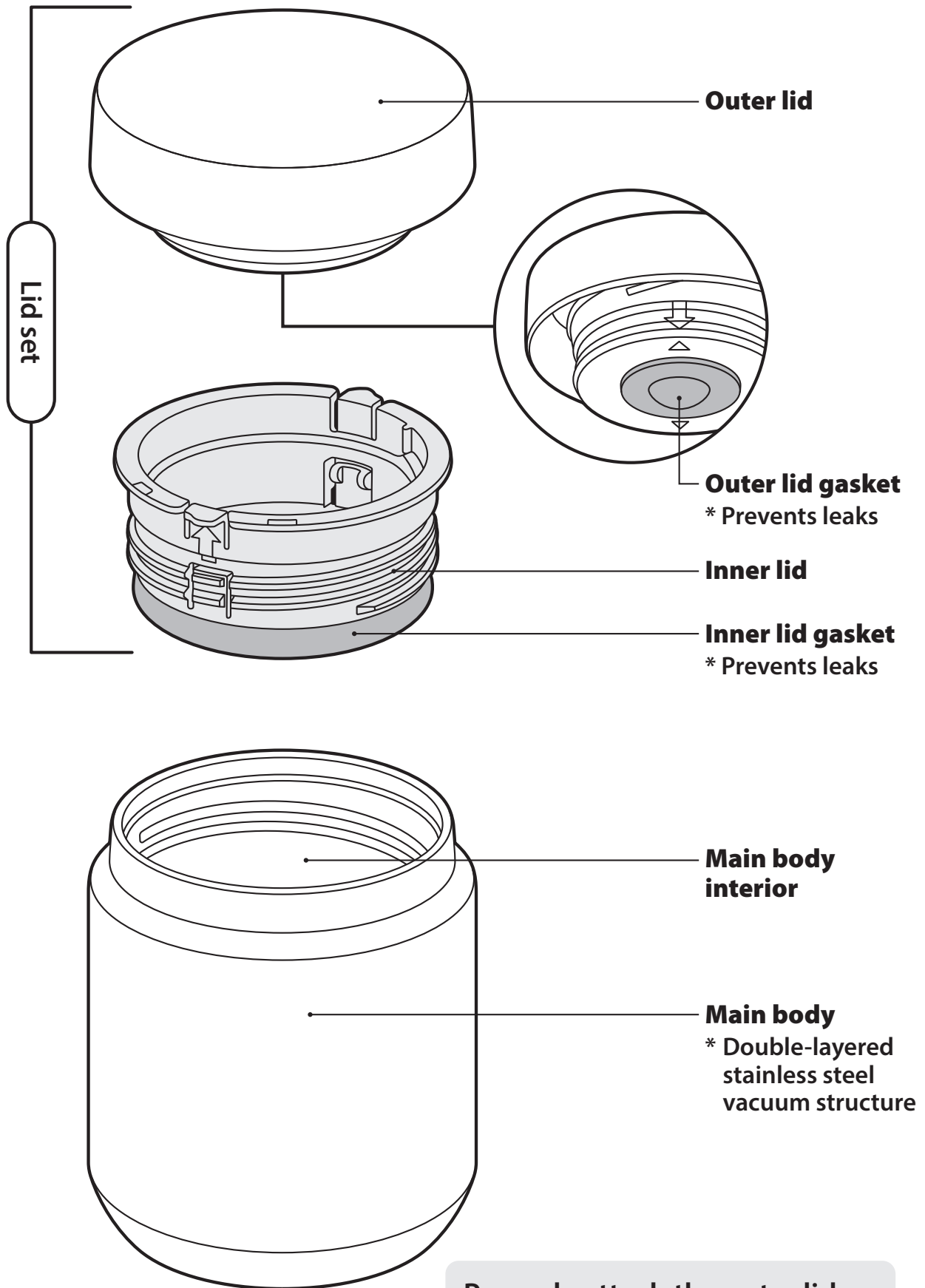
Before Use	P.1	Part Names
	P.2	Precautions
	P.4	Notes on Use

Usage Instructions	P.5	How to Use
	P.6	Product Care

Troubleshooting	P.11	In This Case
	P.13	How to Purchase Replacement Parts (Sold Separately)

Part Names

Before use, check that all the parts are included.



Properly attach the outer lid gasket and inner lid gasket before use.

* Otherwise, the contents may leak.

Precautions

Read these precautions carefully before use and be sure to follow them.

Meaning of displayed markings


■ To ensure that this product is properly used, the extent of harm or damage caused by improper usage is categorized as follows.

 Warning	This mark indicates content that could result in death or serious injury.	 Caution	This mark indicates content that could result in minor injury or property damage.
--	---	--	---

■ Symbols


 Prohibited	This mark indicates actions to avoid.	 Required	This mark indicates actions that must be followed.
---	---------------------------------------	---	--


Warning


 **Keep this product out of reach of young children. Also, make sure it is not used as a toy.**
* Small parts are a choking hazard and are at risk of being swallowed. Also, this behavior may result in burns or injury.





Caution


 **Use this product only for storing food or drink.**
* Doing so may cause injury.


 **Do not place this product over direct heat or near a stove, gas heater, or other fire source.**
* Doing so may cause burns. Additionally, the product may become deformed, possibly causing leaks that could result in burns or staining your belongings.


 **If drinking directly from the container, do not tilt it quickly.**
* Otherwise, the rush of hot food and liquid may result in burns and other issues.


 **Do not put this product in the microwave.**
* The metal parts will spark, possibly resulting in damage to the microwave.
* Heat may cause the product to become deformed, possibly causing leaks that could result in burns or staining your belongings.

 **Avoid dropping the product, knocking it, or otherwise subjecting it to strong impact.**
* Doing so may cause injury, or the contents may leak, possibly resulting in burns or staining your belongings. Also, the product may lose its heat and cold retention.

 **Do not place plastic wrap or similar materials between the inner lid and the container.**
* Otherwise, the contents may leak, possibly resulting in burns or staining your belongings.

 **Do not tilt or shake the main body when closing the lid set.**
* Otherwise, food or drink may overflow. Also, the contents may leak, possibly resulting in burns or staining your belongings.

 **Be careful of tipping over the product when the main body contains food or drink.**
* Doing so may cause burns.

 **Be careful of splashing when draining hot water.**
* Doing so may cause burns.

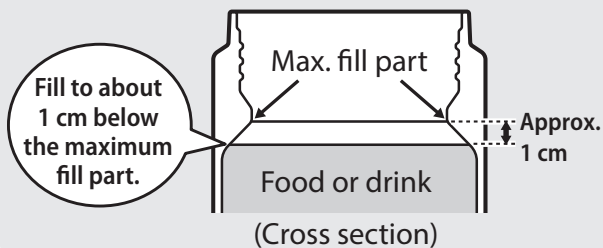
Precautions



Required

Keep the food or drink level below the prescribed position illustrated.

- * Overfilling may cause the food or drink to overflow when the lid set is closed. Also, the contents may leak during use, possibly resulting in burns or staining your belongings.



Prohibited

Never put dry ice or carbonated drinks inside the container.

- * If the internal pressure rises, the lid set may not open or may fly off, causing the contents to burst out and possibly resulting in injury or staining of your belongings.



Prohibited

Never modify, disassemble, or repair the product.

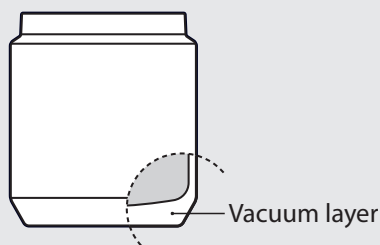
- * Doing so may cause damage or result in an accident.



Prohibited

Avoid using this product if you hear sloshing sounds coming from inside of the double-layered vacuum structure (vacuum layer).

- * If liquid from the vacuum layer seeps into the main body, consuming it may cause health issues.



Required

Attach only the dedicated parts to this product.

- * Otherwise, the contents may leak, possibly resulting in burns or staining your belongings.

To care for the product, be sure to follow the instructions below.



Prohibited

Do not boil this product. (Except for the gaskets)

- * Heat may cause the product to become deformed, possibly causing leaks that could result in burns or staining your belongings.



Required

Remove the inner lid from the outer lid before cleaning.

- * Otherwise, the water may seep into the gaps and leak, possibly staining your belongings or causing spoilage and odor.



Required

Properly attach the dedicated outer lid gasket and inner lid gasket to the outer lid and inner lid, respectively. (P.9 ③④)

- * Otherwise, the contents may leak, possibly resulting in burns or staining your belongings.



Required

Attach the inner lid to the outer lid and close the lid securely. (P.5 ③, P.8)

- * Otherwise, the contents may leak, possibly resulting in burns or staining your belongings.



Required

When the product contains hot food or drink, be careful of burns.

- * This product is vacuum-insulated, so the exterior does not become hot even when it contains hot food or drink.



Prohibited

Do not heat the product if the lid set does not open while food or drink is inside.

- * If the internal pressure rises, the lid set may fly off, causing food or drink to burst out and possibly resulting in injury or staining of your belongings. If the lid set cannot be opened, refer to "The lid set will not open with food or drink inside" under "In This Case" on P.12 for instructions on how to open it.

Precautions

Be sure to follow the instructions below.

Before Use



Required

Pour hot (or cold) food or drink into this product. Make sure food or drink is thoroughly heated (brought to a boil) before placing it in the container. After heating, promptly place the food or drink in the container and close the lid set.



Required

Consume the contents as soon as possible (within 6 hours) and finish them in one sitting.



Prohibited

Do not put raw food or other highly perishable items in this product.



Prohibited

Do not leave this product in high-temperature locations, such as inside a vehicle, when it contains cold food or drink.



Prohibited

Do not leave food or drink in the product for extended periods.

* Consuming spoiled food or drink may result in illness.

* If the internal pressure rises due to gases released through spoilage and fermentation, the lid set may not open or may fly off, causing food or drink to burst out and possibly resulting in injury or staining of your belongings.

After Use



Required

After use, immediately clean the product and thoroughly dry it.

* Residue left after washing may grow bacteria and contaminate your food or drink.



Required

If you have gone out or otherwise cannot properly care for the product after use, quickly and thoroughly rinse the interior of the main body with water.

* If the internal pressure rises due to gases released through spoilage or fermentation, the lid set may not open or may fly off, causing food or drink to burst out and possibly resulting in injury or staining of your belongings.

Notes on Use

Do not put this product in the freezer.

* Doing so may result in damage or insufficient heat and cold retention.

Before going out, turn the product upside down to check for leaks.

* If the product leaks, check the items listed in "In This Case" on P.11.

If the exterior of the main body becomes hot (or cold) when hot (or cold) food or drink is placed inside, this indicates a problem with heat (or cold) retention. Because this may cause spoilage, discontinue using the product.

When carrying the product, place it upright to prevent any potential leaks.

How to Use

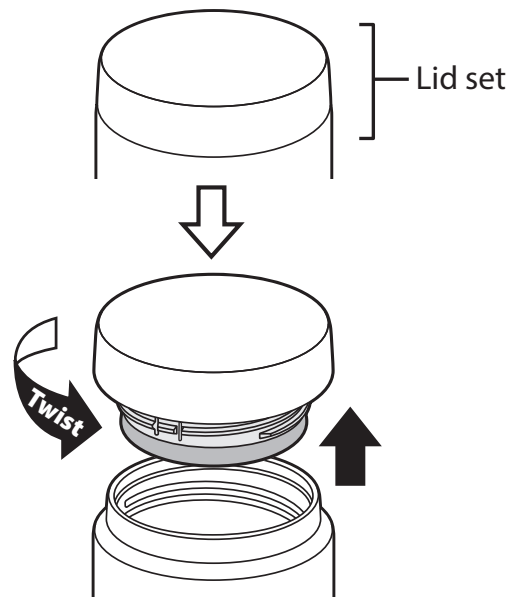
1 Remove the lid

Twist the lid set in the direction of the arrow to remove it.

* When removing the lid set, you may feel it loosen as it passes over a bump. This is due to a structure that releases pressure from the main body interior and is not a defect. Continue twisting to remove it.

Before Use

Thoroughly clean the lid set and the inside of the main body. (☞ P.6)



2 Adding food or drink

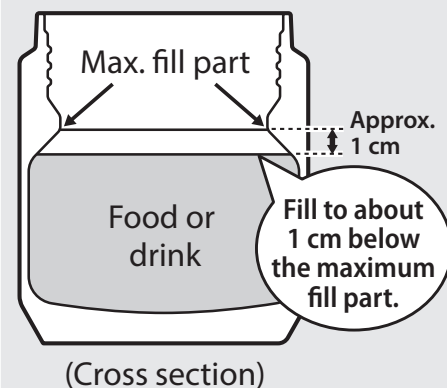
Pour hot (cold) food or drink into this product. Keep the food or drink level below the prescribed position illustrated. Overfilling may cause the food or drink to overflow when the lid set is closed.

* Make sure the ingredients do not exceed the fill line shown in the illustration.

Point Before inserting the content, insert a small amount of hot water (or cold water) into the main body to preheat (or precool) the inside for about 1 minute. Doing so will increase its heat (or cold) retention ability.



Caution

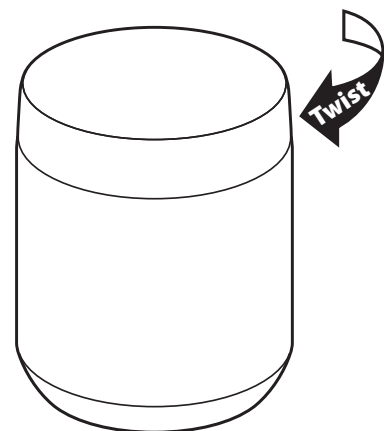


3 Close the lid

Twist the lid set in the direction of the arrow and close it securely.

* When closing the lid set, you may feel it pass over a bump, but this is not a defect. Continue closing until the lid set stops turning.

* Even when closed, the lid set may move slightly.



Caution

- Confirm that the outer lid gasket and inner lid gasket are attached. (☞ P.9 ③④)
- Opening the lid during heat-retention cooking may cause the temperature to drop and prevent proper cooking.

Product Care

To prevent smells, stains, and mold and keep the product clean for a long time, always properly maintain it after use.

- After use, immediately clean the product and thoroughly dry it.
- Remove all parts, and clean them thoroughly.
- If you will not be using the product for a long time, clean it thoroughly to remove any dirt, thoroughly dry it, and then store it in a place that is not too hot or humid.

Part name		Lid set		Main body	
		Outer lid Inner lid	Outer lid gasket Inner lid gasket	Inside	Outside
Running water rinse		✓	✓	✓	✓
Soak and wash		✓	✓	✓	✗
Bleach	Oxygen-based	✓	✓	✓	✗
	Chlorine-based	✓	✓	✗	✗
Dishwasher* Dish dryer		✓	✓	✓	✓
Heat resistance		100°C	140°C	—	—

* Before using a dishwasher, dryer, and detergent, check the instruction manuals to confirm the conditions of washable parts (heat resistance, etc.) and the washing method.

Precautions during Product Care

Before performing product care, read these precautions carefully and be sure to follow them.



Do not boil this product. (Except for the gaskets)

Prohibited

* Heat may cause the product to become deformed, possibly causing leaks that could stain your belongings.



Do not use chlorine bleach for the main body.

Prohibited

* Otherwise, the product may rust or lose its heat and cold retention.



Do not wash the outside of the main body by soaking.

Prohibited

* Doing so may cause discoloration or peeling of the paint and printing.



If using a dishwasher, do not place the main body on exposed metal parts of the dish rack.

Prohibited

* Otherwise, the paint or printing may peel off.



Do not use paint thinner, benzene, steel scrubbers, polishing powder, or cleansers to clean this product.

Prohibited

* Doing so may cause rust, scratches, or damage.

Product Care

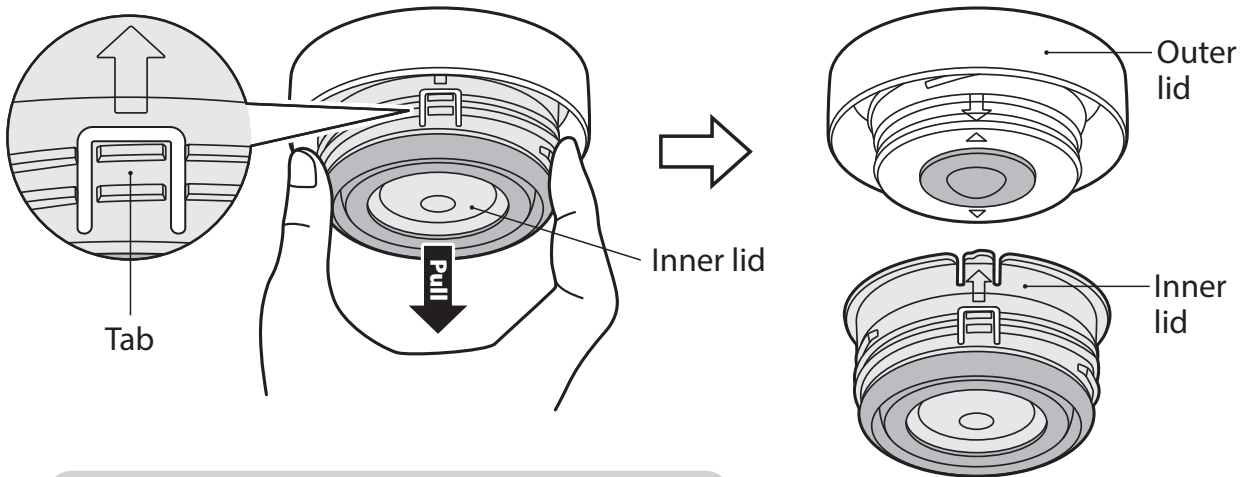
Removing and attaching the inner lid, and attaching the gaskets

■ How to remove the inner lid (👉 P.5 ①)

① How to remove the inner lid

Hold the inner lid by areas other than the tabs and pull to remove it.

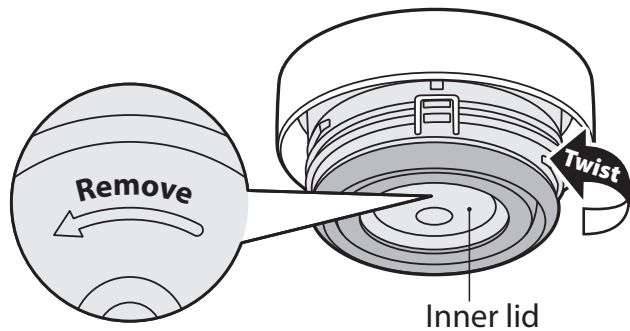
* If you hold or press the tabs, it cannot be removed.



If the inner lid cannot be removed

If the inner lid is locked, it cannot be removed by pulling.

Turn the inner lid in the direction of the "Remove" arrow, then pull to remove it.



Product Care

② Attaching the inner lid

① Insert the inner lid.

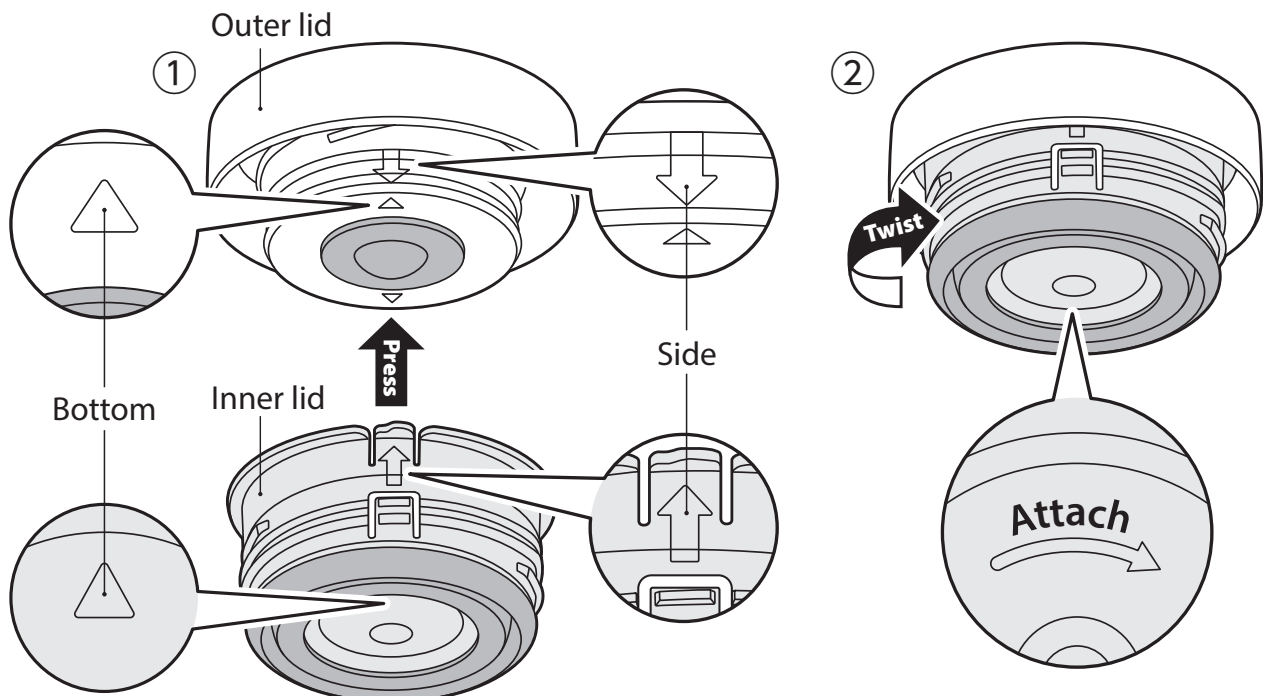
Align the markings on the outer lid and inner lid, then press the inner lid to snap it into place.

* The markings are located on the bottom (△) and on the side (↑).

② Lock the inner lid.

Twist the inner lid in the direction of the “Attach” arrow to lock it.

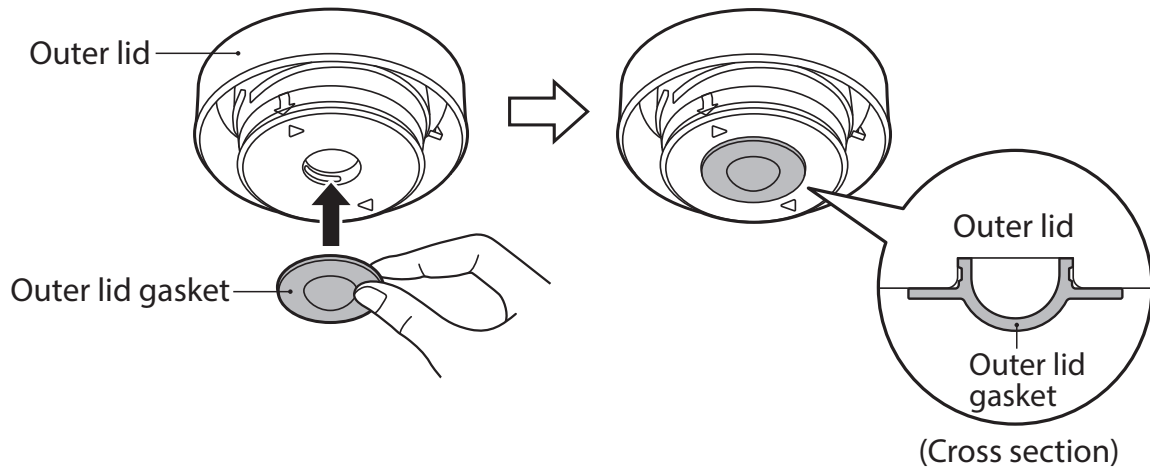
* Even if the inner lid is not locked (Step ①), the lid set can still be attached to the main body. The inner lid becomes locked when you twist the lid to close it.



Product Care

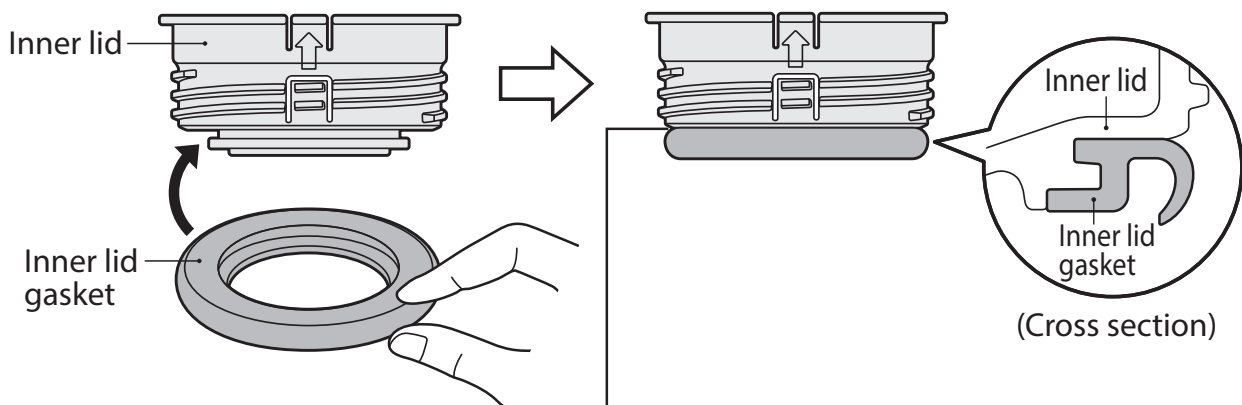
3 How to attach the outer lid gasket

Orient the round protrusion of the outer lid gasket to face down, and press the gasket up into the recess of the outer lid so there is no gap.



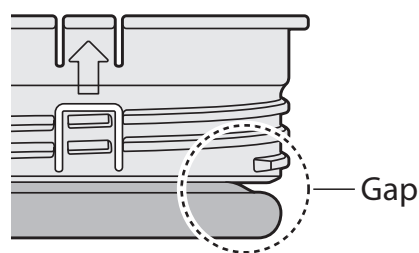
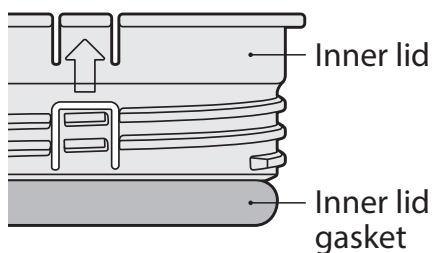
4 How to attach the inner lid gasket

Orient the flat side of the inner lid gasket to face up, and attach the gasket to the groove of the inner lid. After you attach it, press evenly around the inner lid gasket to ensure that no part is raised.



! Check

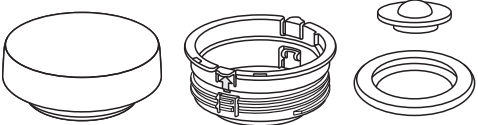

If there is a gap between the inner lid and the inner lid gasket, the inner lid gasket is installed upside down. Install it with the flat side facing up.



Product Care

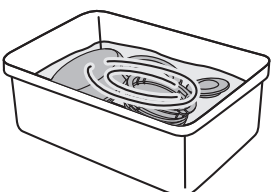
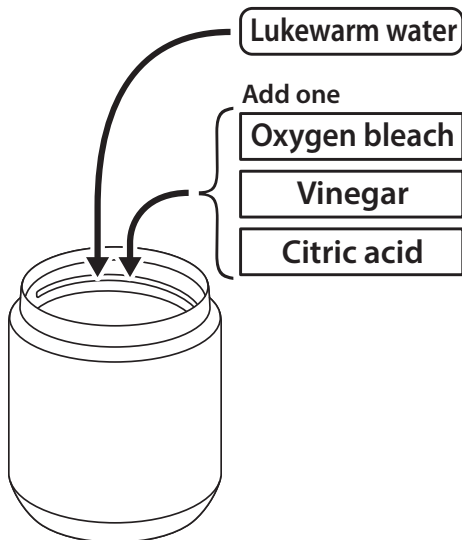
Normal product care

- Use neutral dish detergent that is diluted in lukewarm water, and after rinsing, drain out all of the water and thoroughly dry the parts.

<p>Lid set Outer lid, inner lid, outer lid gasket, inner lid gasket</p> 	<p>Use a soft sponge. * After product care, be sure that all parts are attached in the proper places. (👉 P.8, P.9)</p>
<p>Main body</p> 	<p>Use a soft sponge. Wipe the outside with a dry cloth immediately after washing. * Otherwise, water droplets may leave marks or cause rust.</p>

Thorough product care

- Use kitchen bleach in accordance with its warning label, and after rinsing, drain out all of the water and thoroughly dry the parts.

<p>Lid set Outer lid, inner lid, outer lid gasket, inner lid gasket</p> 	<p>Mix bleach and water in a bowl or other container, and soak each of the parts. (Approx. 30 min.)</p>
<p>Main body interior</p> 	<p>Use oxygen bleach only on the inside. (Approx. 30 min.)</p> <p>⊘ Prohibited: Chlorine bleach Do not attach the lid set. * Doing so is dangerous, as pressure will rise inside the main body, and the lid set may suddenly fly off.</p> <p>Specks of red rust This is caused by a buildup of iron and other impurities in the water. Pour a mixture of 90% lukewarm water and 10% vinegar into the main body, and then wait about 30 minutes before rinsing it well.</p> <p>Gritty residue This is caused by a buildup of calcium and other impurities in the water. Pour a mixture of lukewarm water and 1% to 2% citric acid into the main body, and then leave it for about 3 hours without attaching the lid set before rinsing it well.</p>

In This Case

If an uncertain situation arises, check the items below.

Issue	Cause	Solution
Food or drink has leaked.	The lid set is not securely closed.	Securely attach the inner lid to the outer lid. (👉 P.8) Close the lid set securely. (👉 P.5 ③)
	There is too much food or drink inside.	Keep the food or drink level below the prescribed amount. (👉 P.5 ②)
	The gaskets have slipped.	Securely attach the outer lid gasket and inner lid gasket in the proper positions. (👉 P.9 ③④)
	The lid is damaged.	Purchase replacement parts, which are sold separately. (👉 P.13)
	The gasket is damaged or worn.	Purchase a replacement gasket set, which is sold separately. (👉 P.13)
The inside of the main body is discolored.	The interior is stained.	Use oxygen bleach to clean the interior. (👉 P.10)
	Specks of rust are attached to the interior.	This is caused by a buildup of iron and other impurities in the water. Use vinegar to clean the interior. (👉 P.10)
	Gritty residue is attached to the interior.	This is caused by a buildup of calcium and other impurities in the water. Use citric acid to clean the interior. (👉 P.10)
Part of the outside of the main body has discolored to a whitish color.	Dishwasher detergent or limescale has attached to the product.	Run boiling water over the discolored area, and immediately wipe the outside with a dry cloth. If you leave the product wet, the water droplets may leave marks. The main body will become hot, so be careful of burns.
Unable to perform heat-retention cooking, or the heat retention (or cold retention) is ineffective.	The food or drink put inside was not hot (or cold) enough.	Pour hot (or cold) food or drink into this product. Preheating (or precooling) the inside of the main body before use is also effective.
	There is not enough food or drink.	Increase the amount of food or drink.
	The lid is open during thermal cooking.	Opening the lid during heat-retention cooking may lower the temperature and prevent proper cooking. Keep the lid closed during heat-retention cooking.
	Ingredients are too large.	Large ingredients may prevent heat from transferring sufficiently. Cut ingredients into smaller pieces or partially cook them before heat-retention cooking.

In This Case

If an uncertain situation arises, check the items below.

Issue	Cause	Solution
The product smells bad.	The interior is stained.	Clean the product and thoroughly dry it. If this does not remove the smell, follow the product care instructions and use oxygen bleach. (👉 P.10)
The gasket is discolored.	The straw or gasket is stained or moldy.	Use bleach to clean the gasket. (👉 P.10) If the dirt or mold cannot be removed, dispose of the gasket and purchase a replacement, which is sold separately. (👉 P.13)
Food or drink has spoiled.	The contents were stored for too long.	Consume the contents as soon as possible (within 6 hours) and finish them in one sitting.
	Raw foods were placed inside.	Do not put raw food or other highly perishable items in this product.
The lid set will not open with food or drink inside.	The lid set may be overtightened, or the contents may have spoiled.	Place the product upright and use a dedicated tool, such as an opener, to open it.
When I shake the product, I hear a faint ringing.		Metal inside the double-layered vacuum structure (vacuum layer), which raises the effectiveness of heat retention (and cold retention), is brushing the sides and making noise. This is not a defect.

How to Purchase Replacement Parts (Sold Separately)

Confirm the product number and color name, and then make a purchase using the method specified below.

(The product number and color name are indicated on the bottom of the main body.)

① **THERMOS online shop (replacement part sales)**

https://www.shopthermos.jp/shop/goods/p_search.aspx

Order parts from the URL above.

(Please be aware that the available parts are limited.)

Web address: <https://www.thermos.jp/>

To improve the product, some of its specifications may be changed without prior notice. Therefore, please be aware that the illustrations in this guide may differ slightly from the actual product.